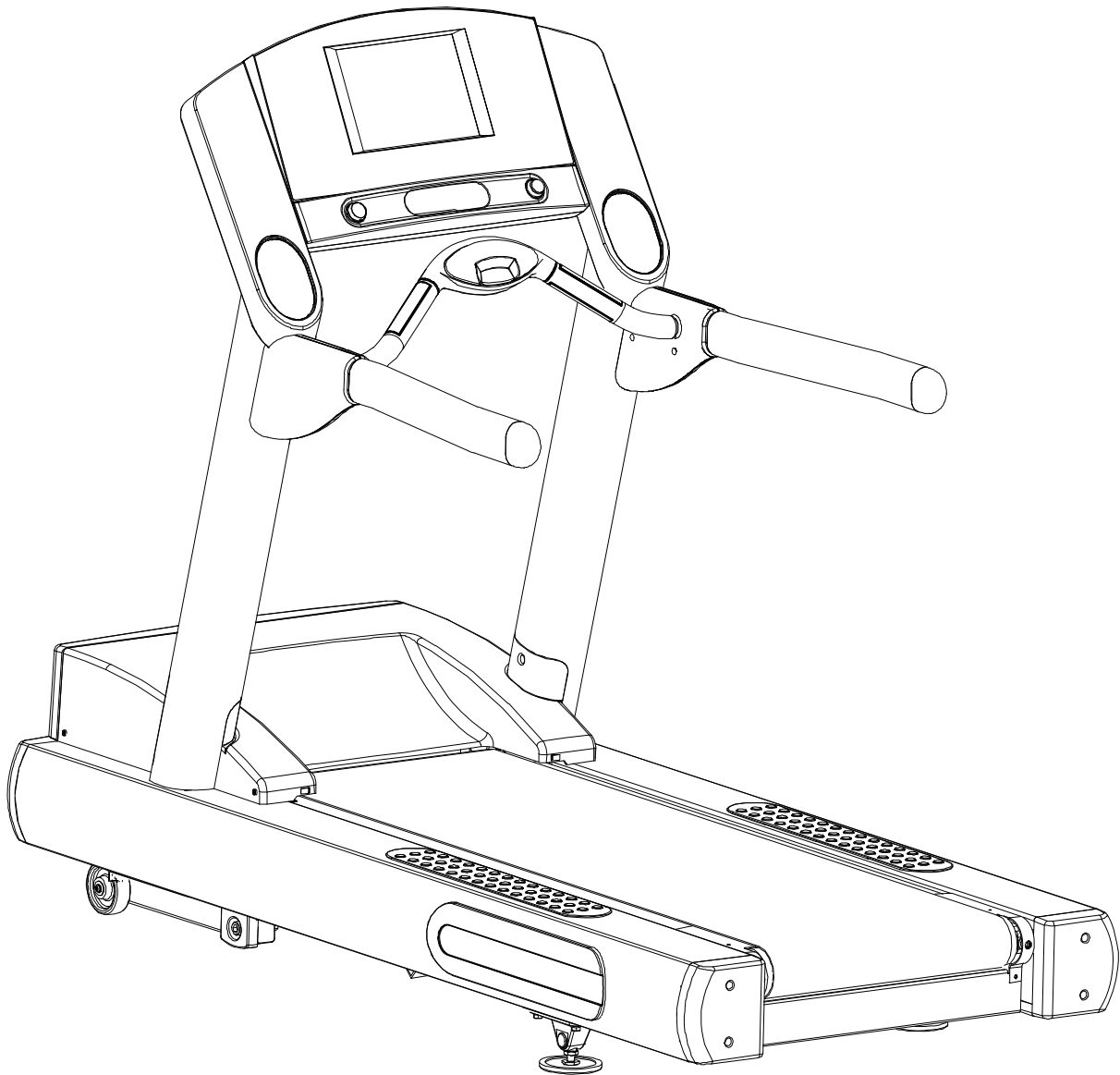


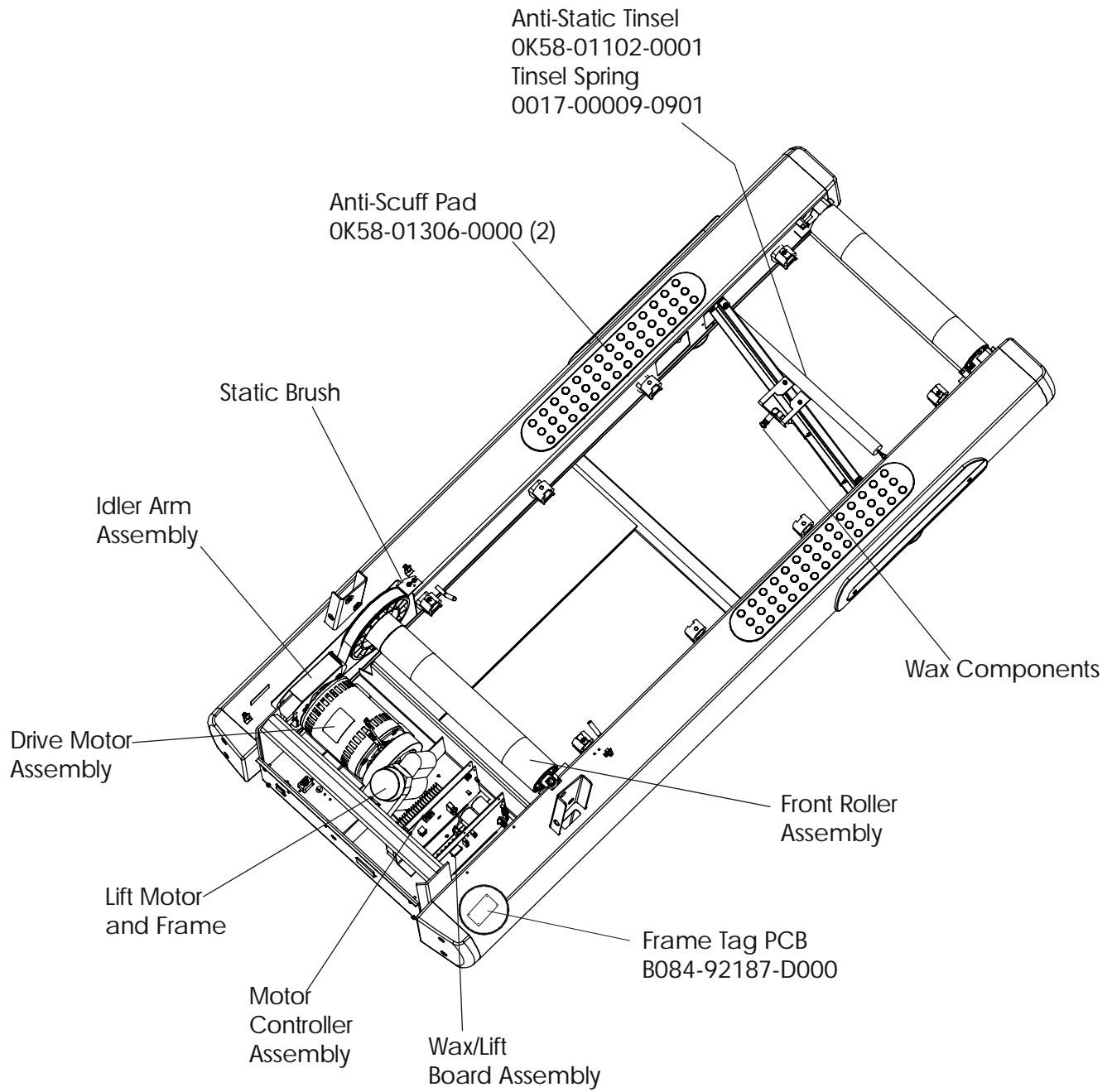
LifeFitness

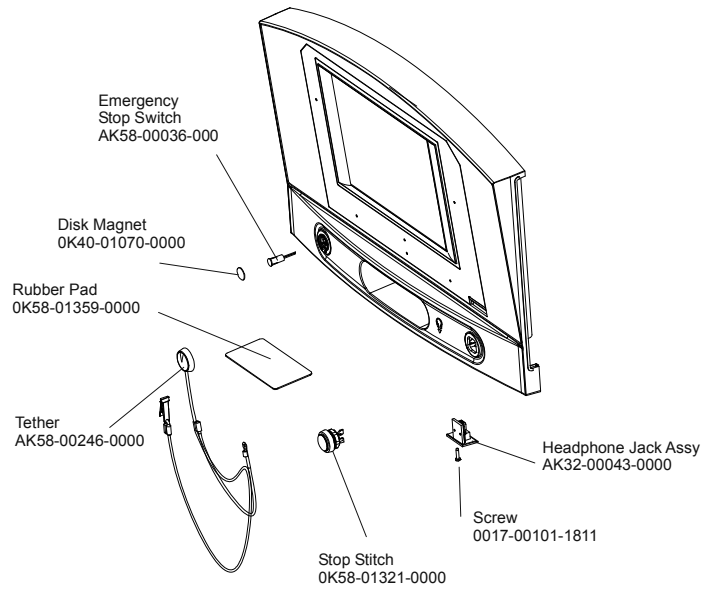
TTM
TREADMILL 97TE
97TE-XXXX-01



Customer Support Services
PARTS MANUAL rev 01 Nov 2012

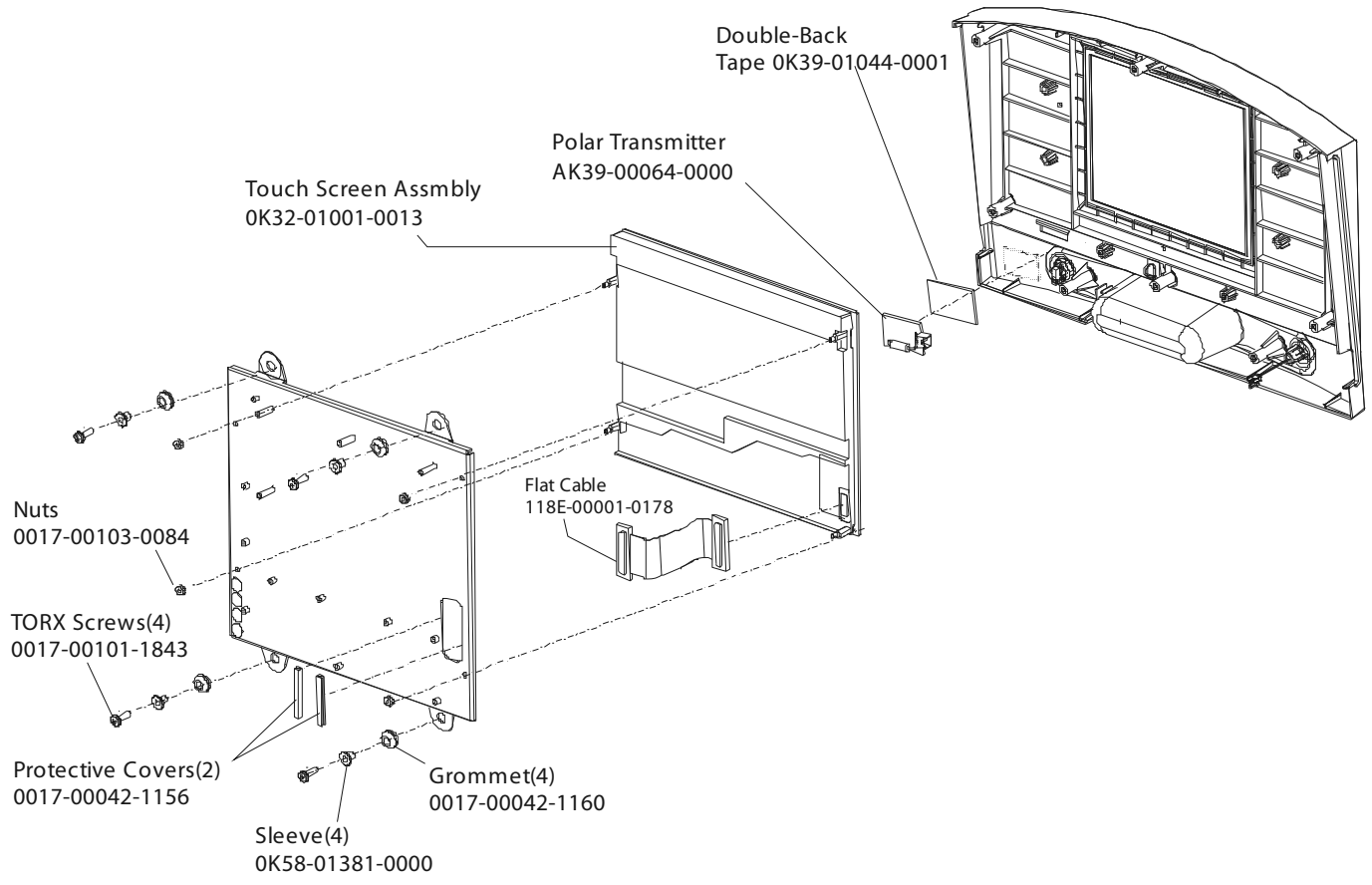
Frame Assembly	3
Console Assembly	4
Console Components.....	5
Handrail Assembly.....	7
Covers, End Caps, and Hardware	8
Belt, Deck, and Rear Roller	9
Wax/Lift Assembly	10
Motor Controller Assembly.....	11
Lift Motor and Frame	12
Drive Motor Assembly.....	13
Wax Components	14
Idler Arm and Static Brush.....	15
Leveler Assembly	16
Front Roller Assembly	17
Ergo Bar w/Lifepulse	18
Power Components	19
Cables.....	20

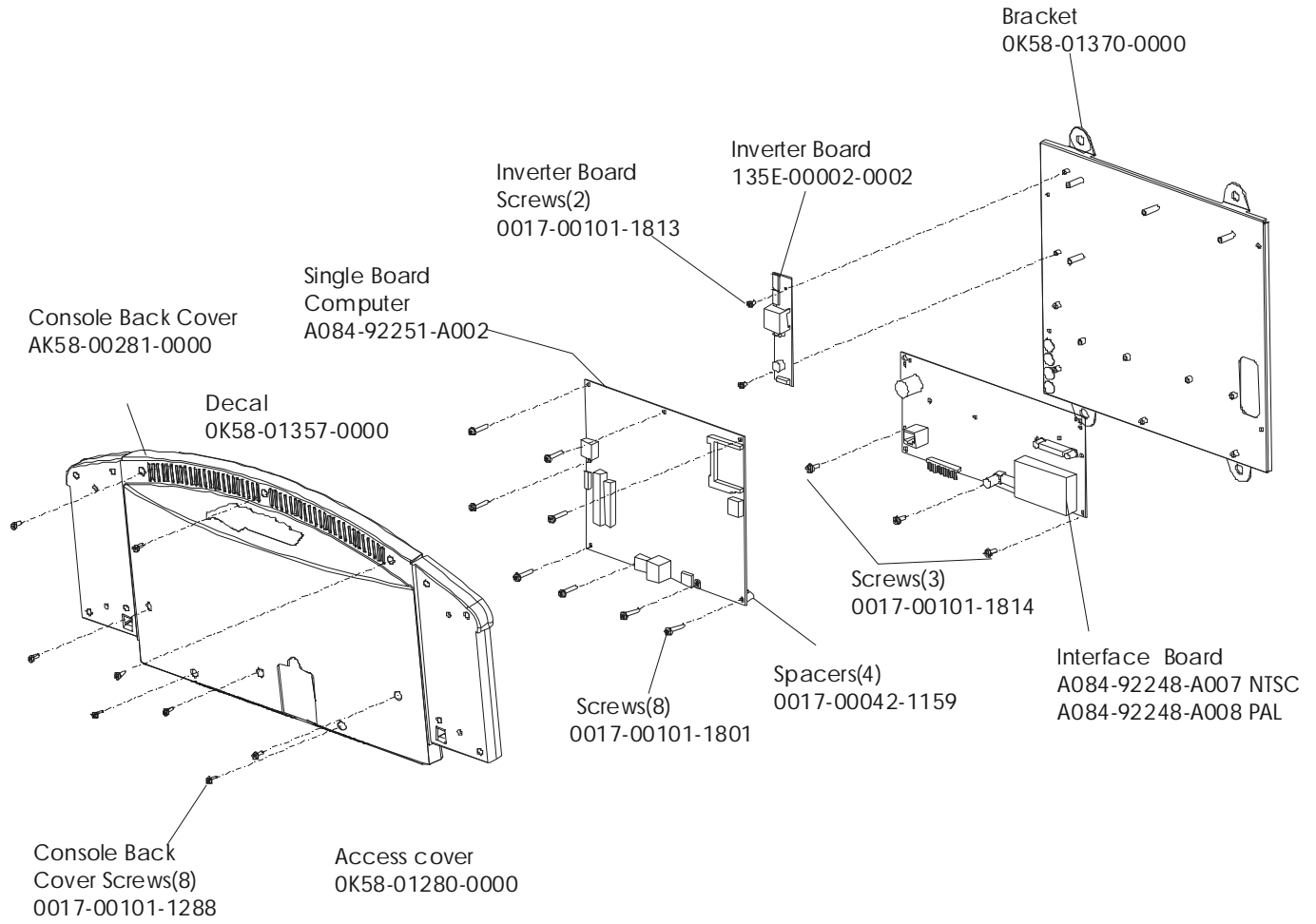


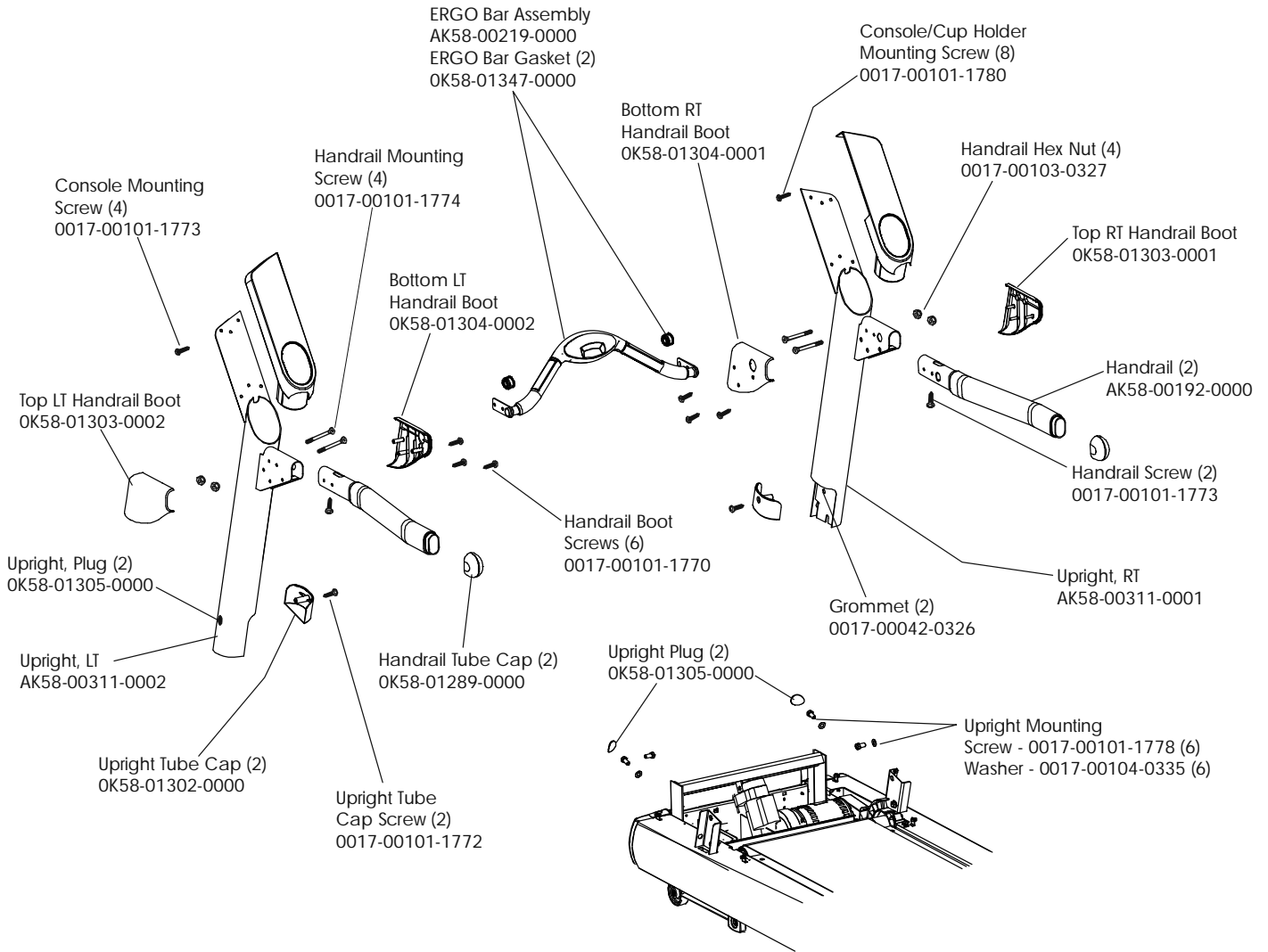


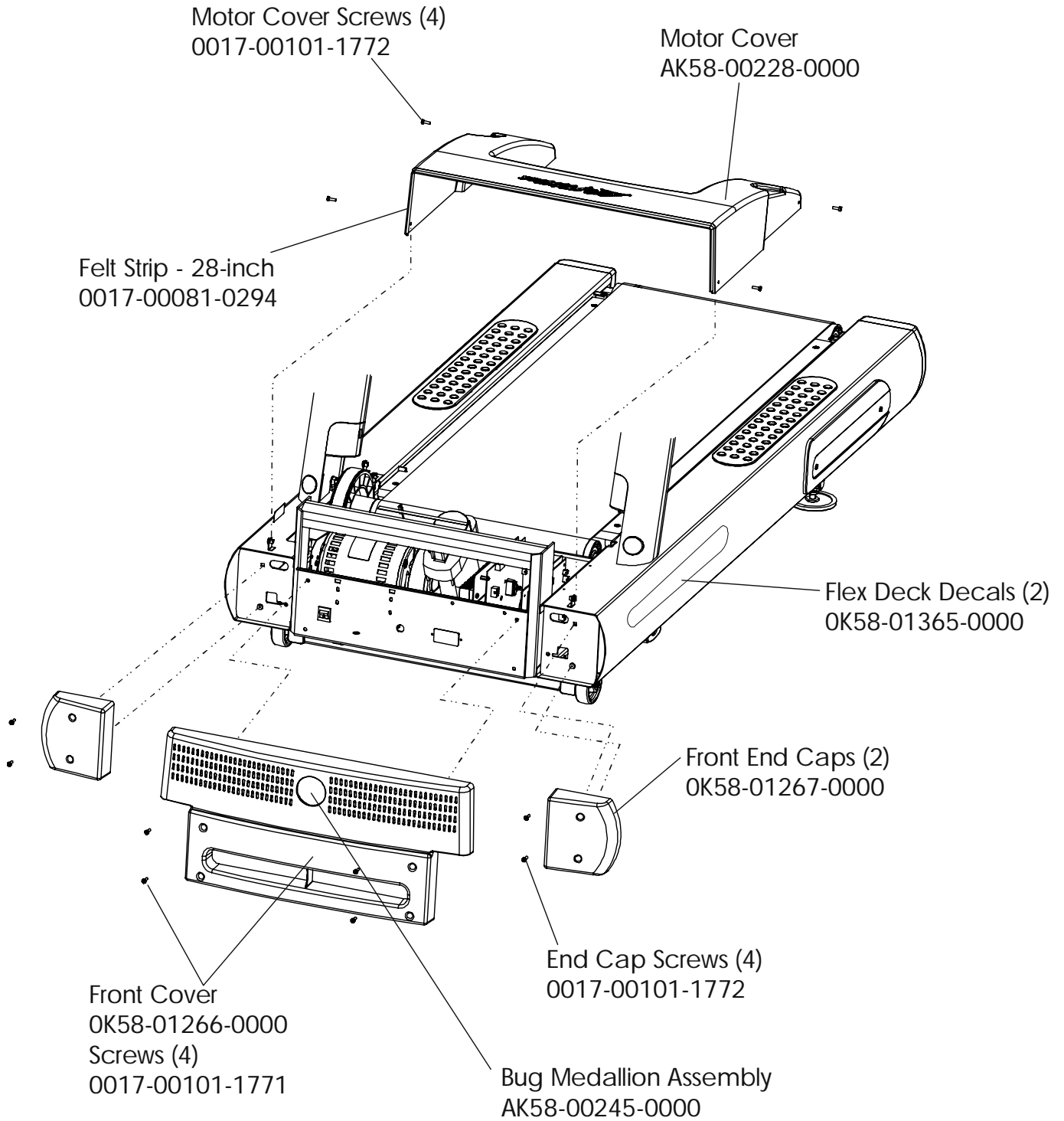
Console	
Description	Part No.
SERV KIT LCD CONS NTSC ENG	GK58-00002-0077
SERV KIT LCD CONS NTSC SPN	GK58-00002-0078
SERV KIT LCD CONS NTSC JAP	GK58-00002-0079
SERV KIT LCD CONS NTSC FRN	GK58-00002-0080
SERV KIT LCD CONS NTSC POR	GK58-00002-0081
SERV KIT LCD CONS PAL ENG	GK58-00002-0082
SERV KIT LCD CONS PAL GER	GK58-00002-0083
SERV KIT LCD CONS PAL SPN	GK58-00002-0084
SERV KIT LCD CONS PAL FRN	GK58-00002-0085
SERV KIT LCD CONS PAL ITL	GK58-00002-0086
SERV KIT LCD CONS PAL DUT	GK58-00002-0087
SERV KIT LCD CONS PAL POR	GK58-00002-0088

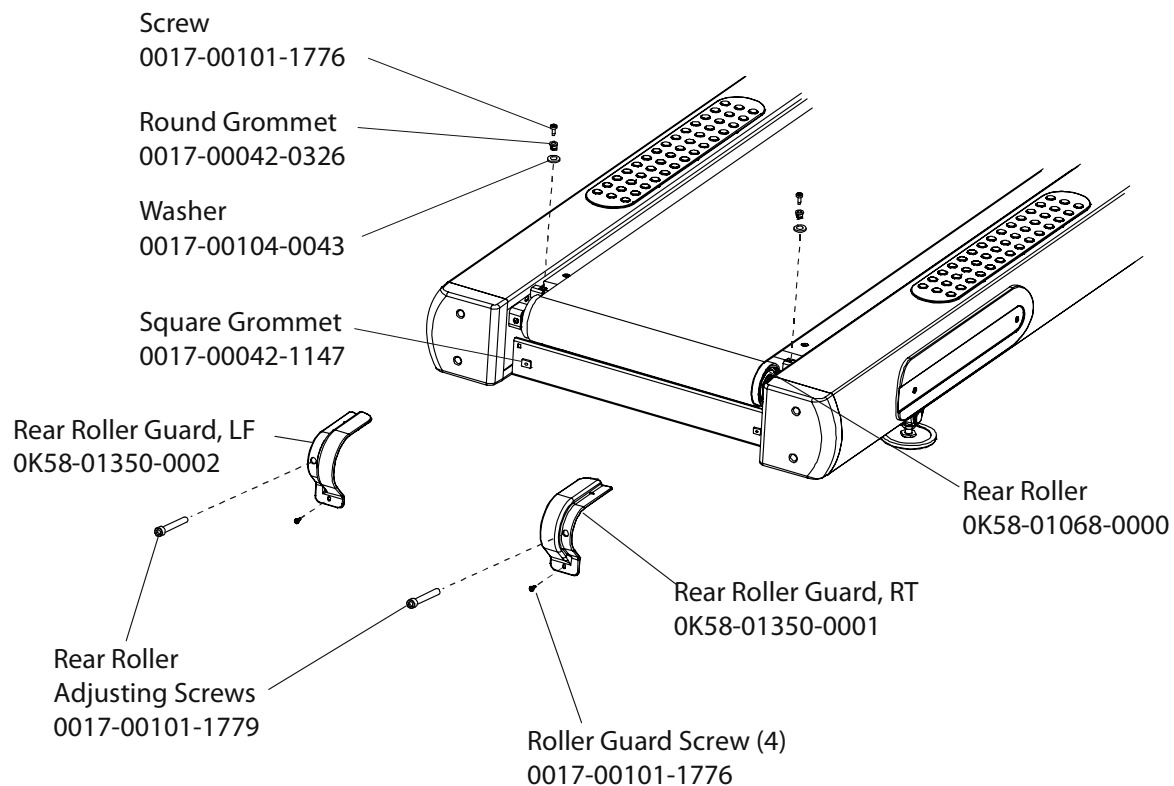
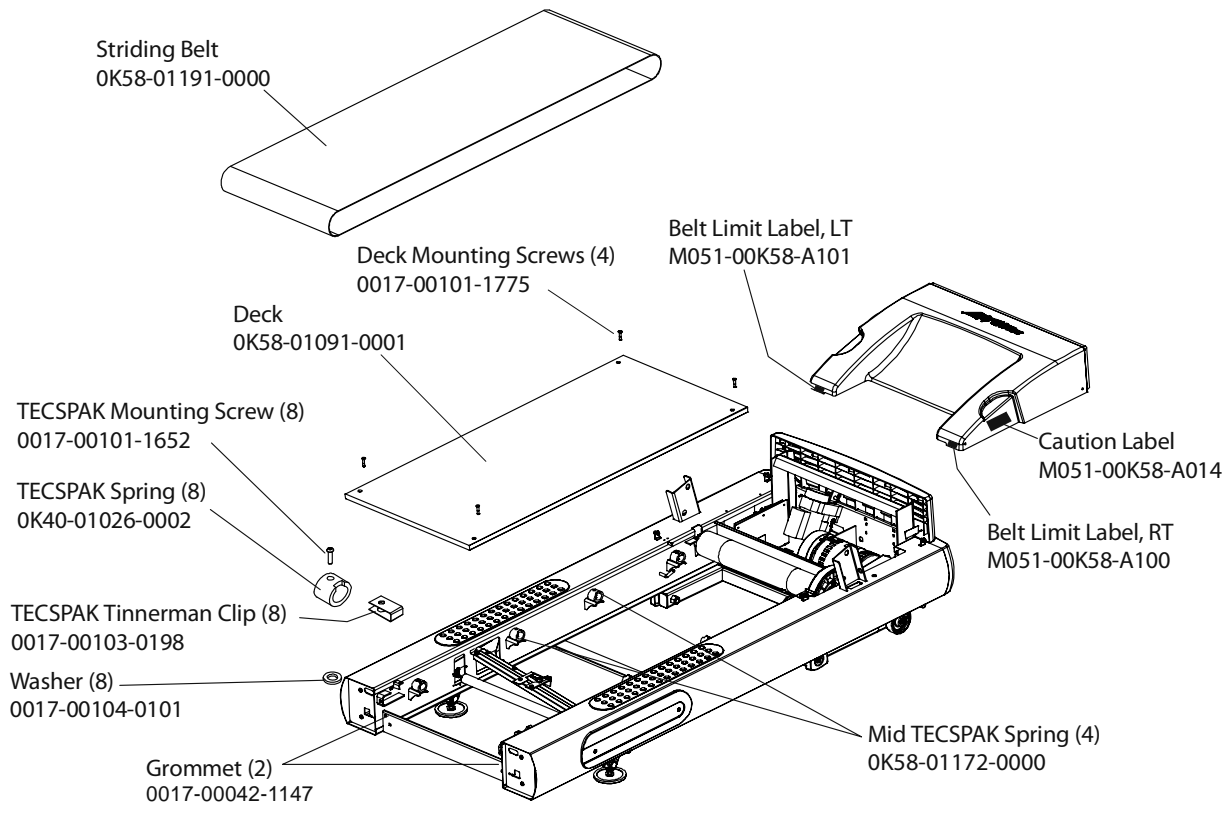
Overlay Bezel Assembly	
Description	Part No.
BZL/SW W/OVERLAY ASSY: MFG; ENG/NTSC	AK58-00516-0001
BZL/SW W/OVERLAY ASSY: MFG; SPN/NTSC	AK58-00516-0004
BZL/SW W/OVERLAY ASSY: MFG; JAP/NTSC	AK58-00516-0006
BZL/SW W/OVERLAY ASSY: MFG; FRN/NTSC	AK58-00516-0007
BZL/SW W/OVERLAY ASSY: MFG; POR/NTSC	AK58-00516-0010
BZL/SW W/OVERLAY ASSY: MFG; ENG/PAL	AK58-00517-0001
BZL/SW W/OVERLAY ASSY: MFG; GER/PAL	AK58-00517-0003
BZL/SW W/OVERLAY ASSY: MFG; SPN/PAL	AK58-00517-0004
BZL/SW W/OVERLAY ASSY: MFG; FRN/PAL	AK58-00517-0007
BZL/SW W/OVERLAY ASSY: MFG; ITL/PAL	AK58-00517-0008
BZL/SW W/OVERLAY ASSY: MFG; DUT/PAL	AK58-00517-0009
BZL/SW W/OVERLAY ASSY: MFG; POR/PAL	AK58-00517-0010

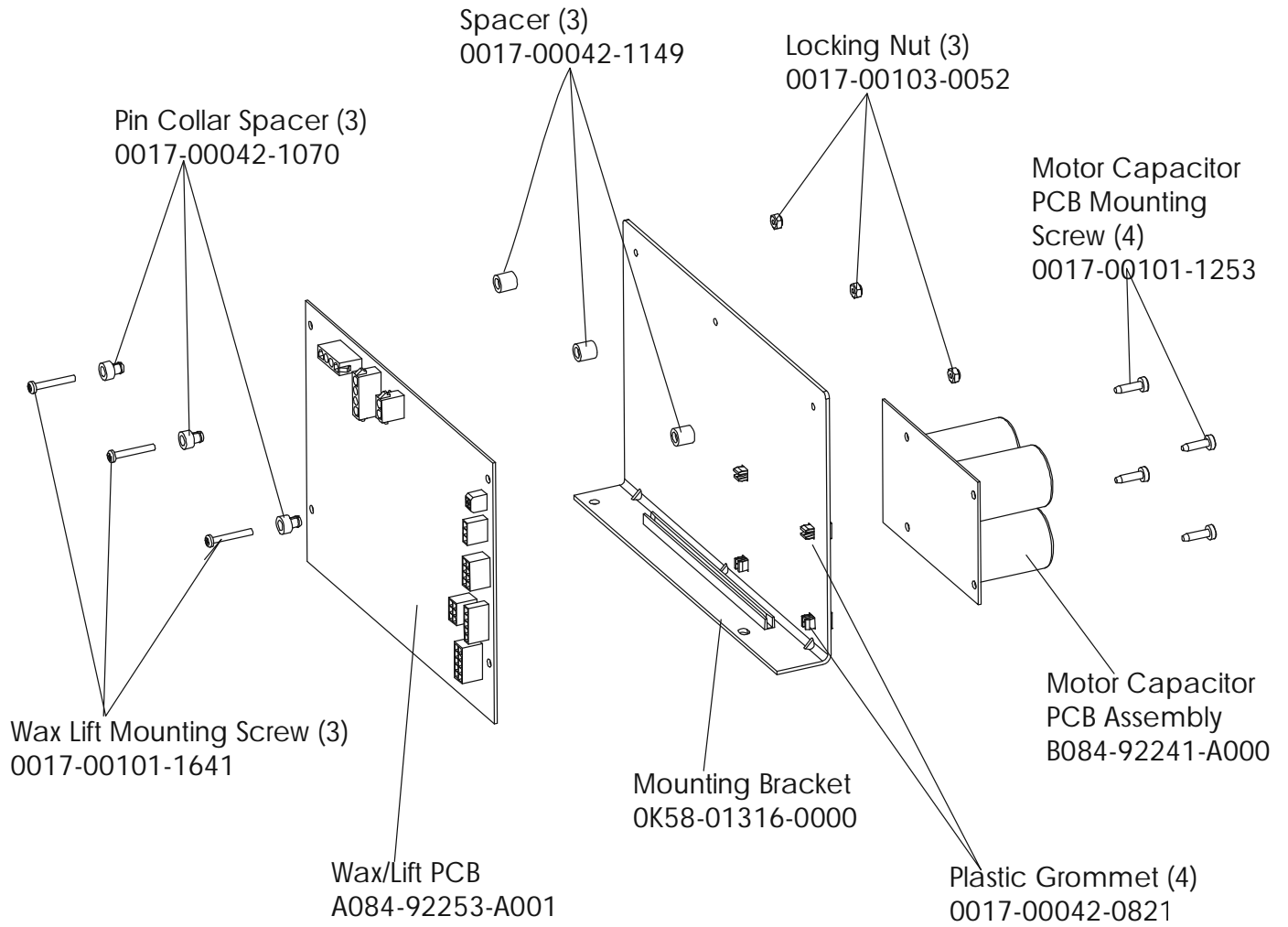




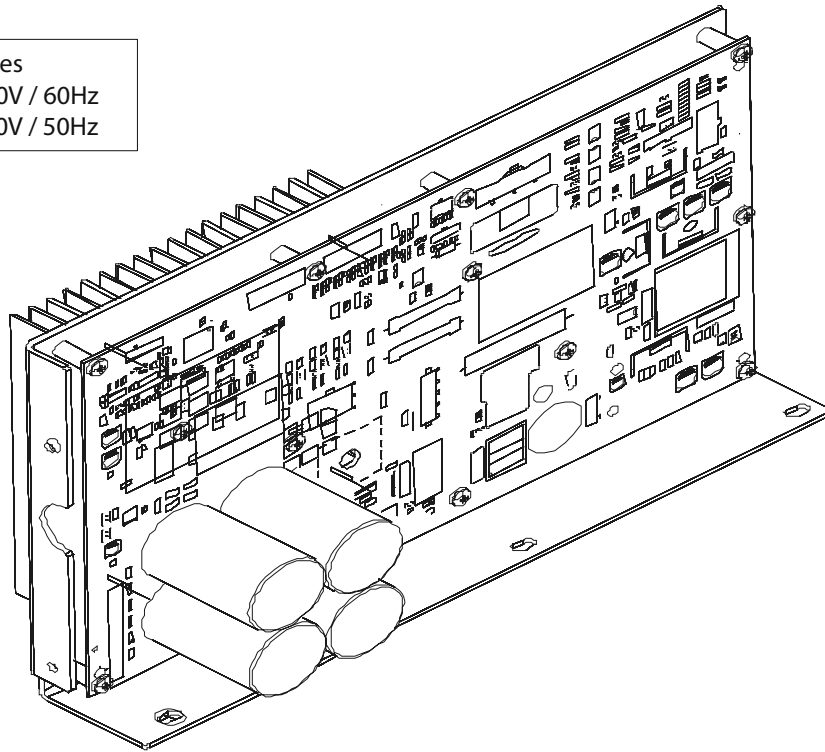






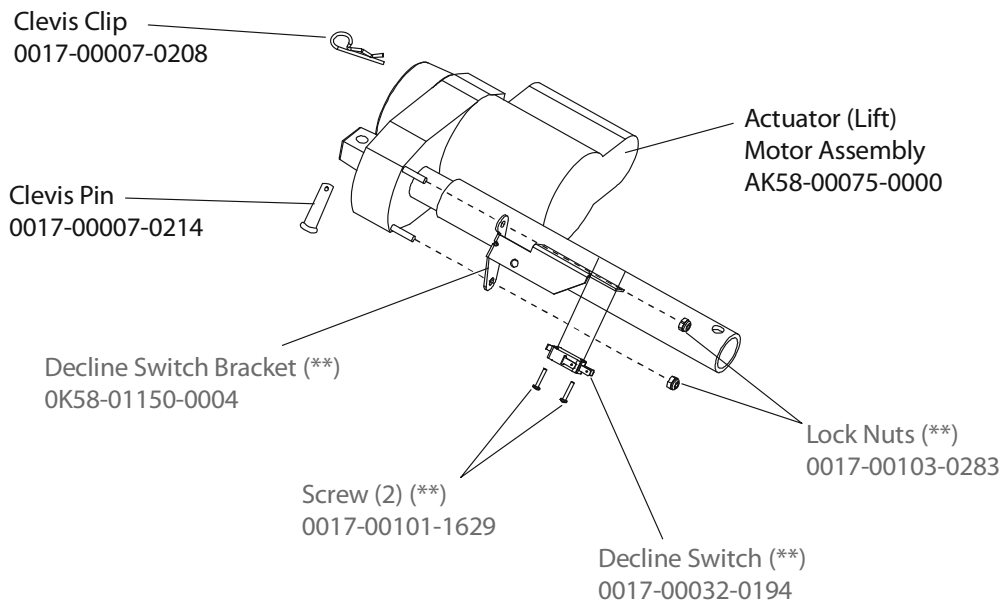
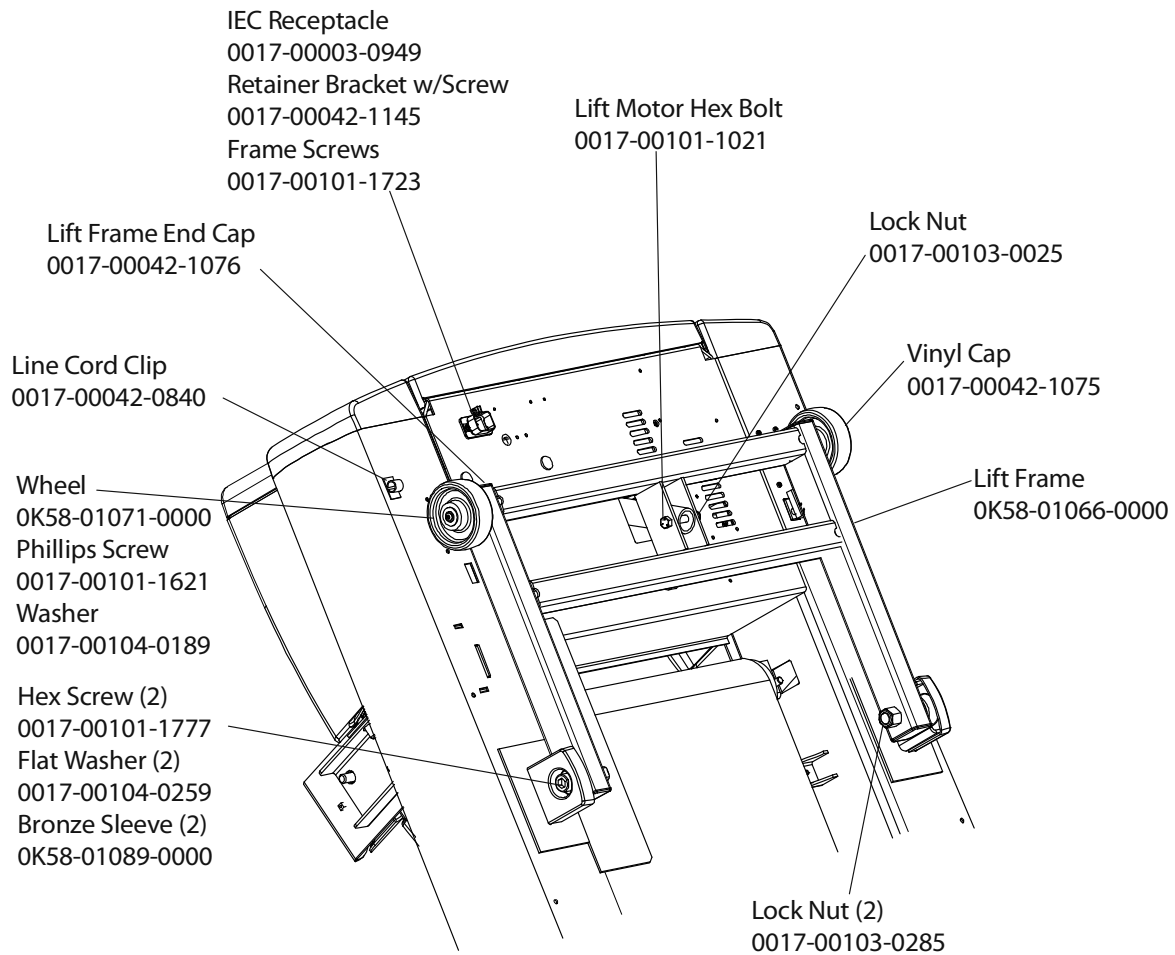


Motor Controller Assemblies
 GK65-00002-0018 (100-120V / 60Hz)
 GK65-00002-0019 (200-240V / 50Hz)

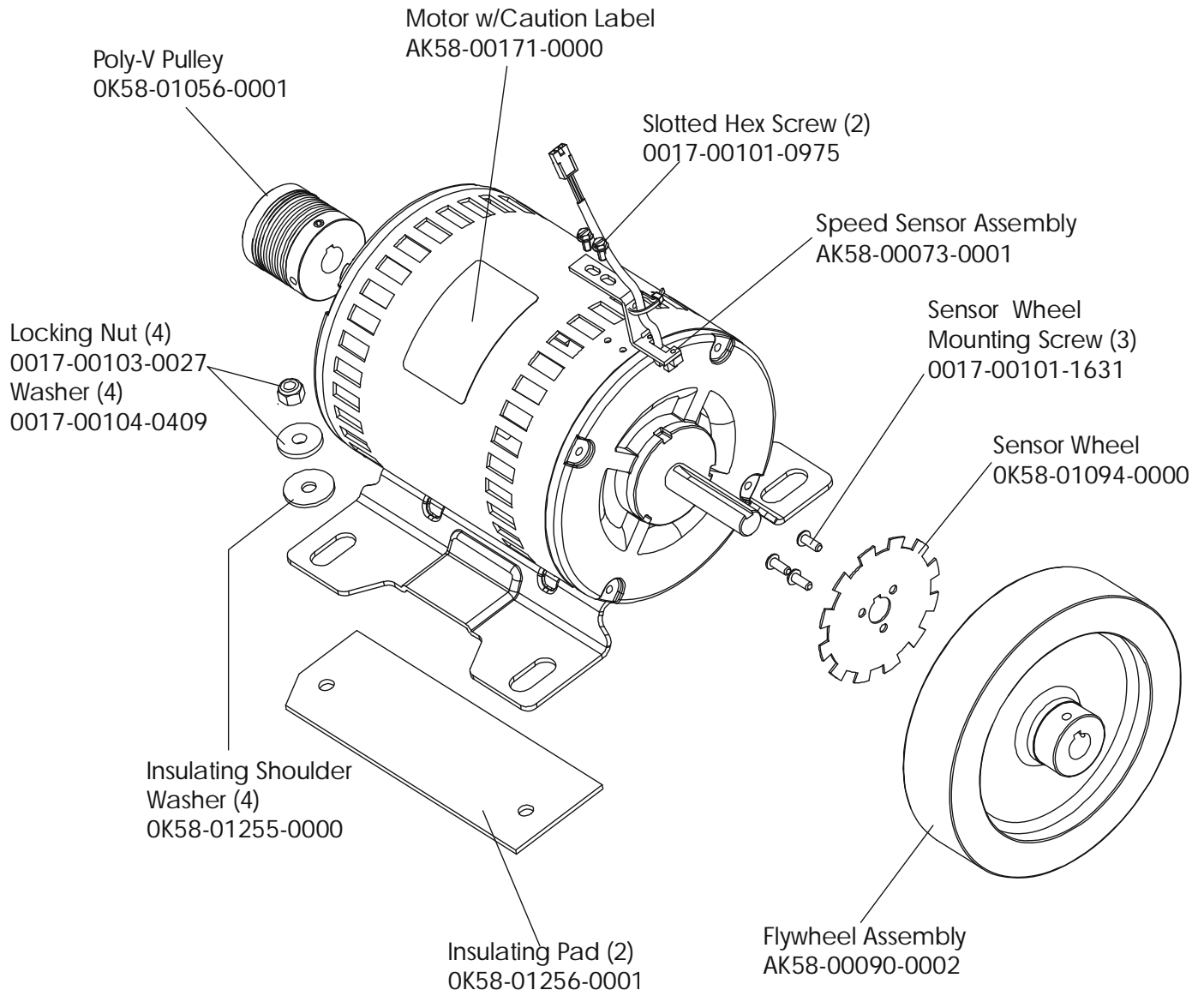


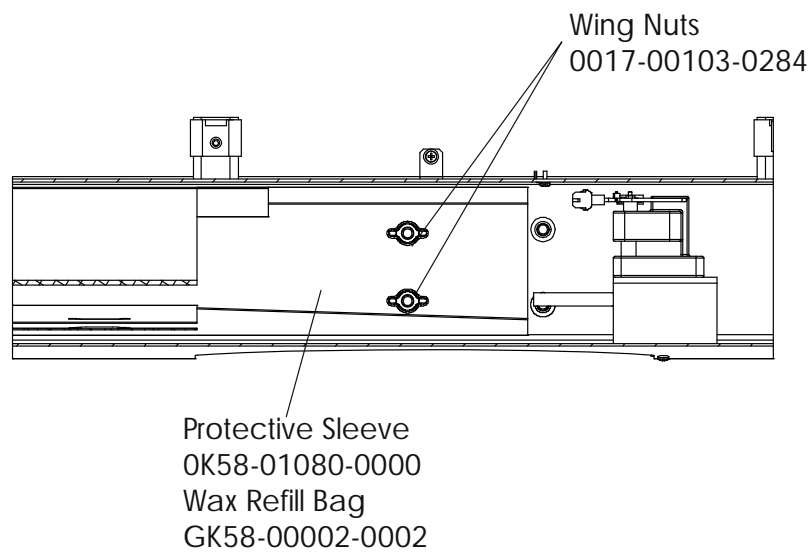
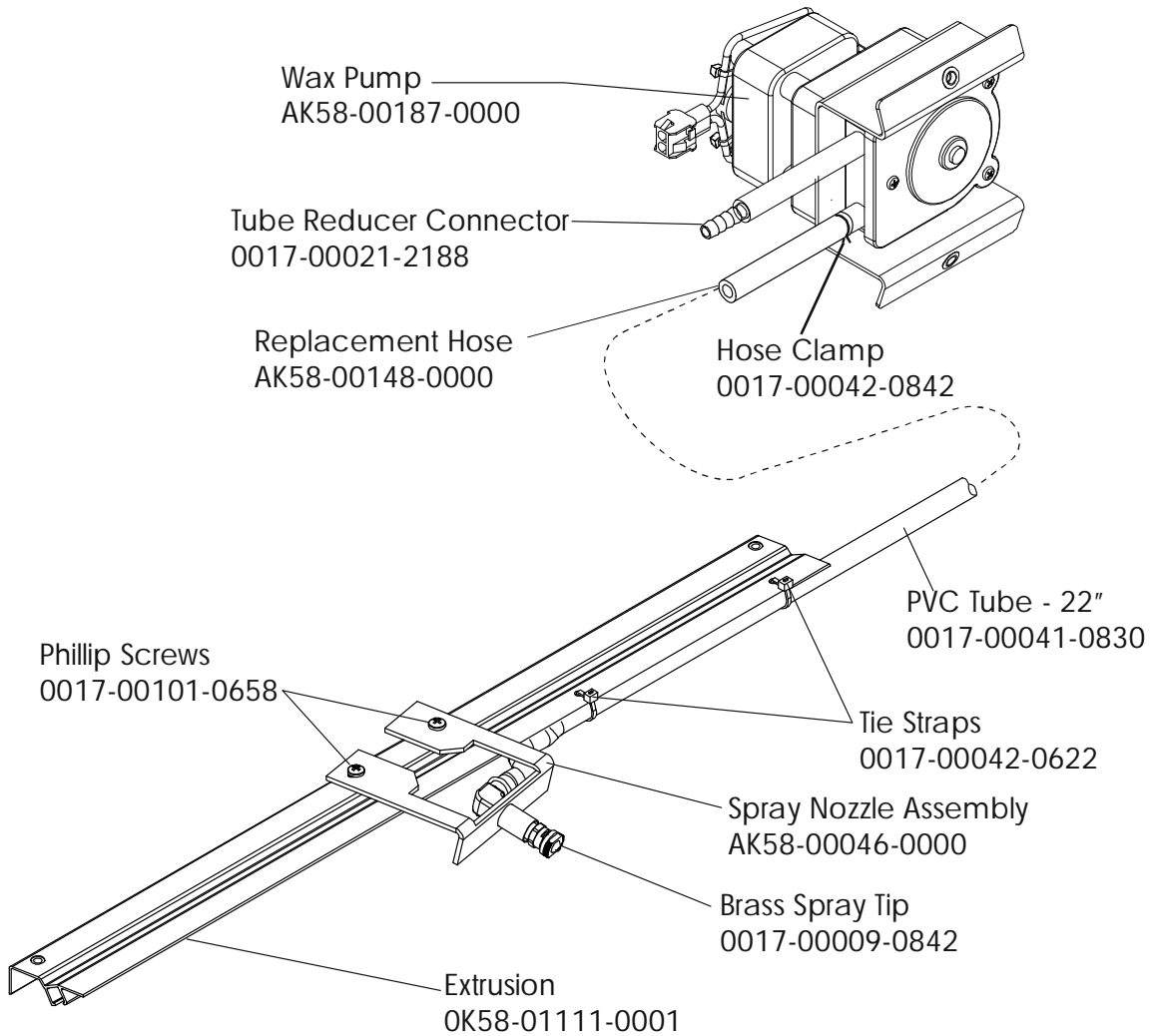
MTR-CNTRL W/FERRITE ASY: 100-120	AK58-00372-0002
Description	Model SKU
97Te.ENG/ENG.120/60.DOM.NTSC	97TE-0100-01
97Te.ENG+MET.100/50.DOM.NTSC	97TE-0105-01
97Te.FRN/MET.120/60.DOM.NTSC	97TE-0300-01
97Te.SPN/MET.120/60.DOM.NTSC	97TE-0400-01
97Te.JAP/MET.100/50.DOM.NTSC	97TE-0705-01
97Te.POR/MET.120/60.DOM.NTSC	97TE-0800-01

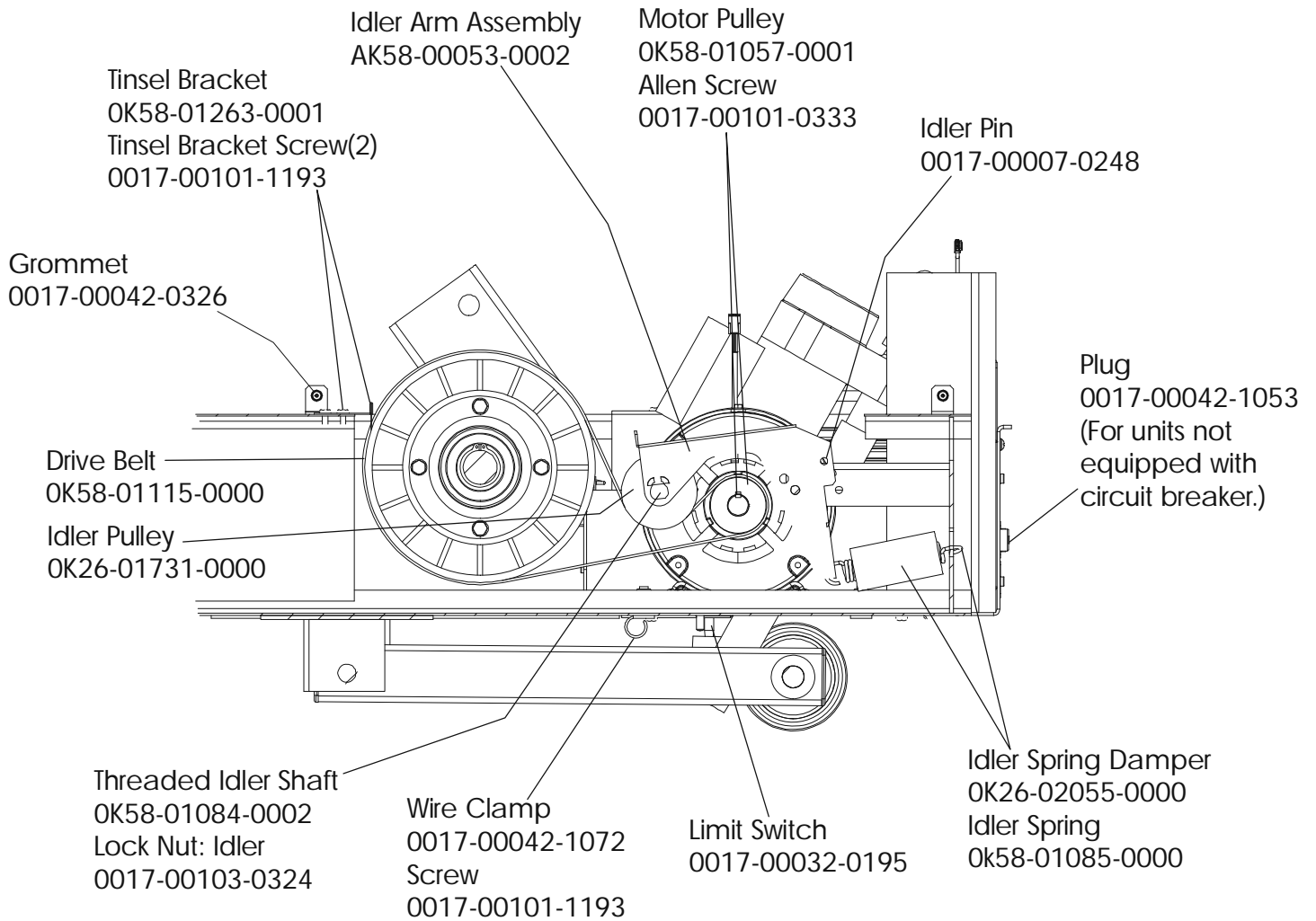
MTR-CNTRL W/FERRITE ASY: MFG.200-240	AK58-00372-0003
Description	Model SKU
97Te.ENG+MET.240V+. AUS.PAL	97TE-0104-01
97Te.ENG+MET.200/50.DOM.NTSC	97TE-0106-01
97Te.ENG+MET.230/50.U.K.PAL	97TE-0109-01
97Te.GER/MET.230/50.CON.PAL	97TE-0201-01
97Te.FRN/MET.230/50.CON.PAL	97TE-0301-01
97Te.SPN/MET.230/50.CON.PAL	97TE-0401-01
97Te.ITL/MET.230/50.CON.PAL	97TE-0501-01
97Te.DUT/MET.230/50.CON.PAL	97TE-0601-01
97Te.JAP/MET.200/50.DOM.NTSC	97TE-0706-01
97Te.POR/MET.230/50.CON.PAL	97TE-0801-01



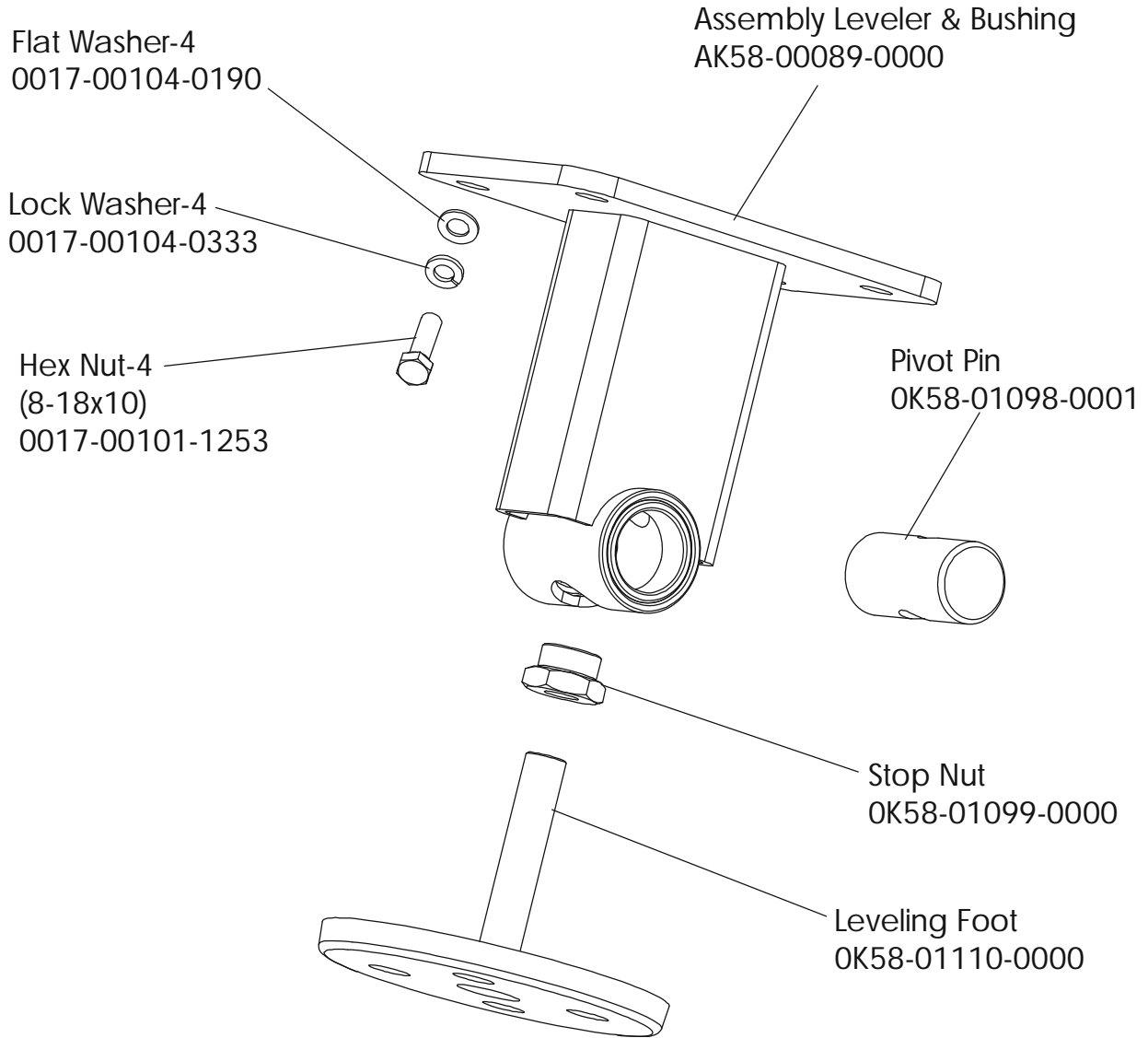
(**) AK58-00075-0000







Leveler Assembly
AK58-00052-0000



Front Roller Assembly
AK58-00067-0000

Mounting Bolt
0017-00101-0974

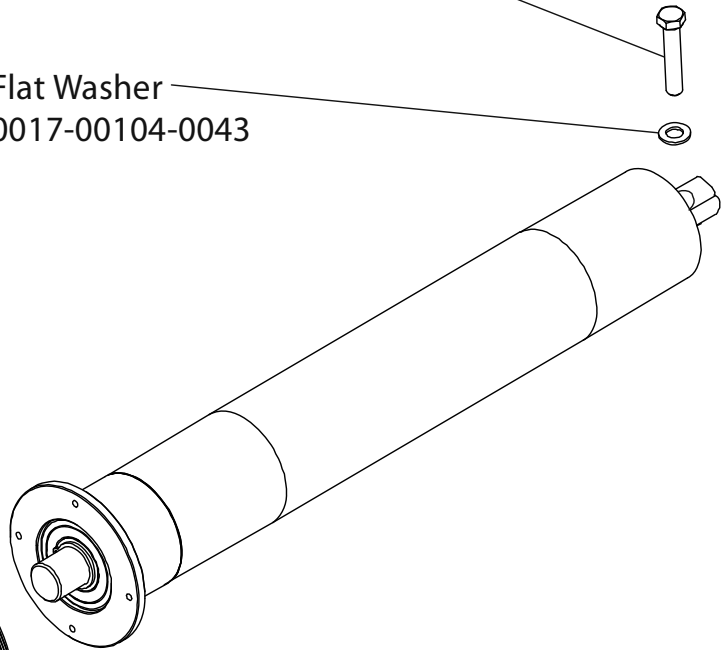
Flat Washer
0017-00104-0043

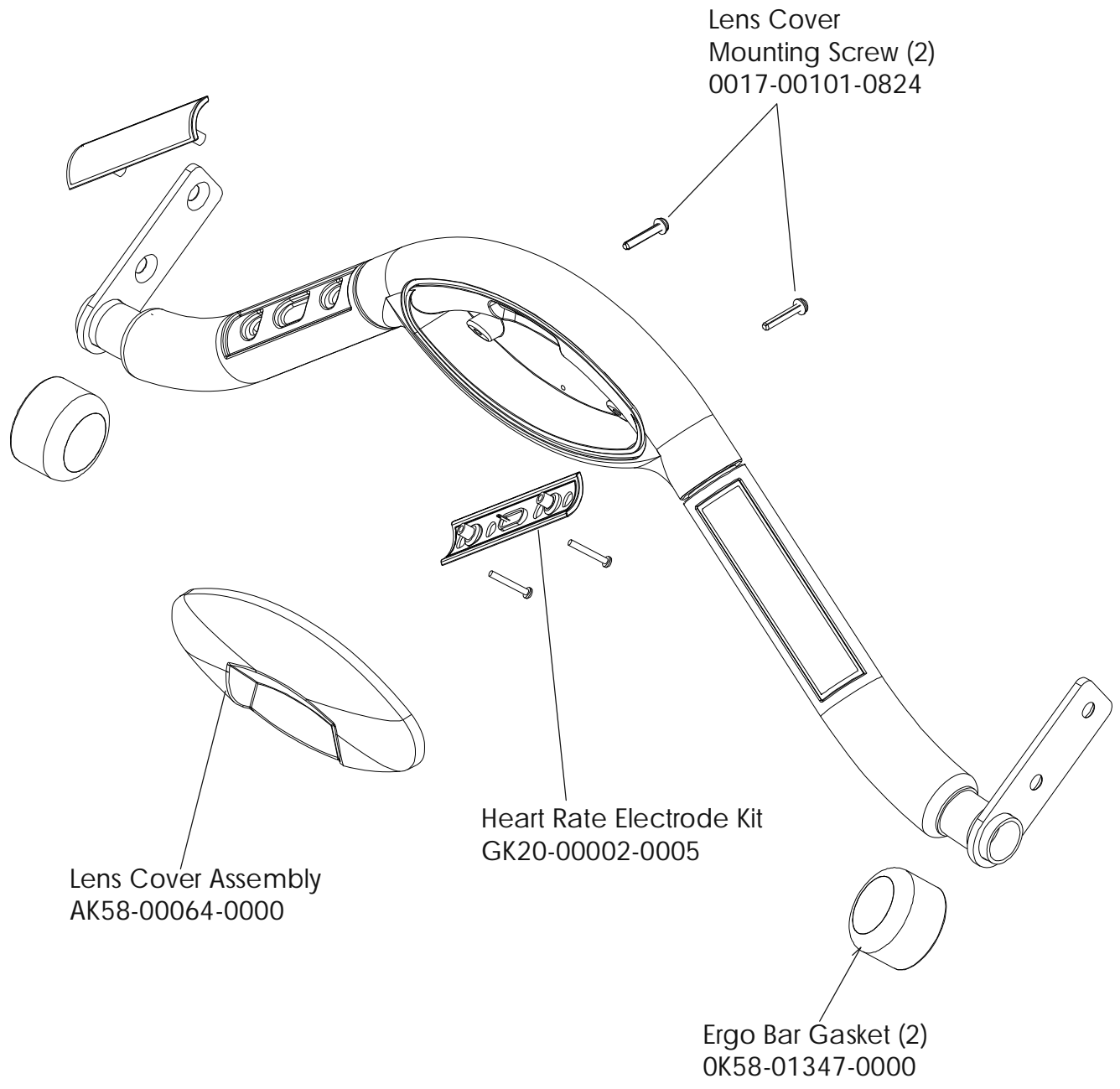
Polley V Pulley 8"
0K58-01105-0000

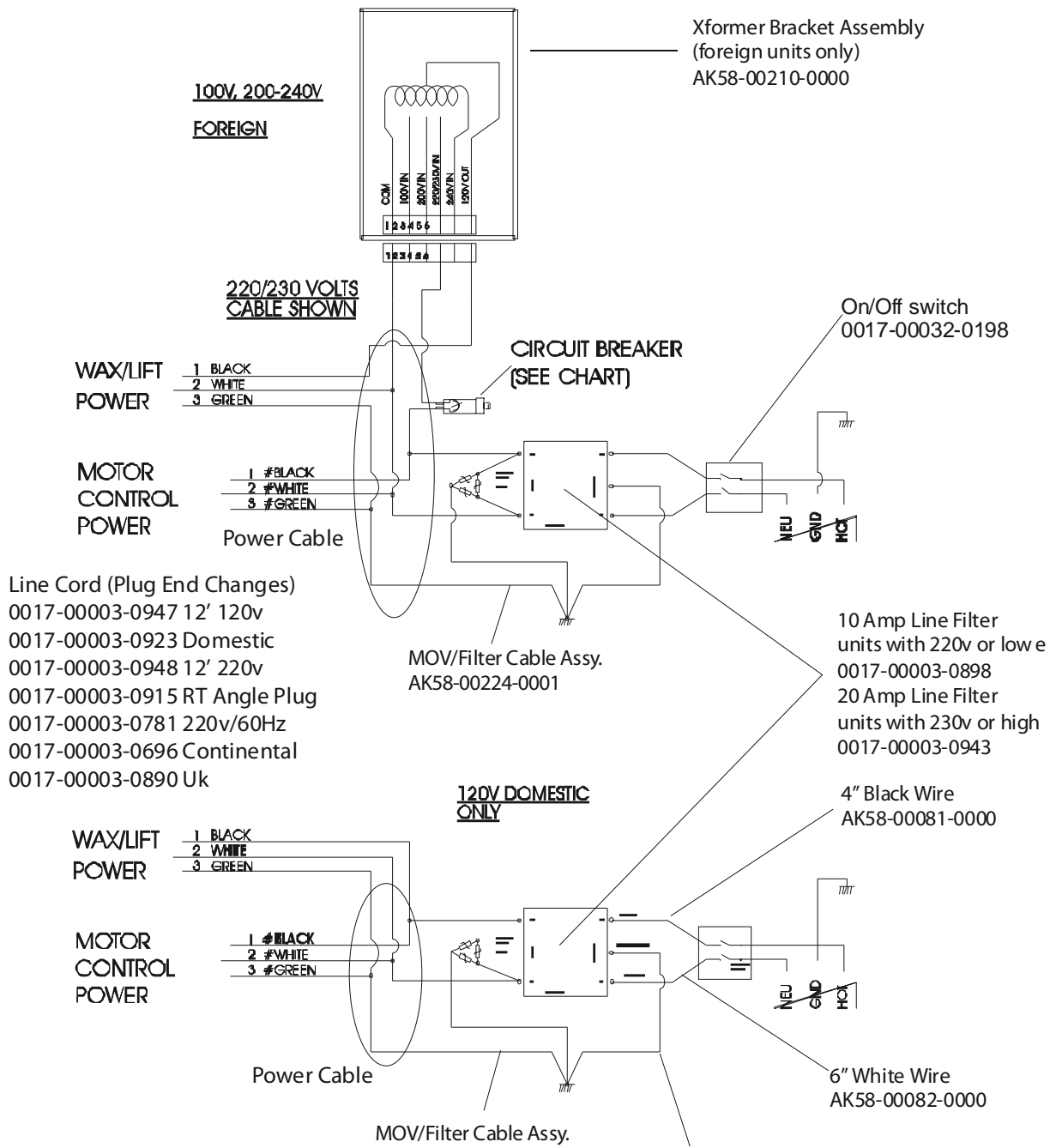
Lock Washer
0017-00104-0005

Hex Bolt
0017-00101-1632

Flat Washer
0017-00104-033 0







Voltage	Power Cable Part No.	Breaker AMP/Part No.
120V	AK58-00224-0001	none
100v	AK58-00302-0001	4 AMP/0017-00003-0950
200v	AK58-00302-0002	2 AMP/0017-00003-0626
220/230v	AK58-00302-0003	2 AMP/0017-00003-0626
240+	AK58-00302-0004	2 AMP/0017-00003-0626

